



# Look at American Technology... See the Difference.

## CENTER HIGH MOUNT STOP LAMP

RETROFIT  
to existing models of  
**INCANDESCENT**  
brake lamps

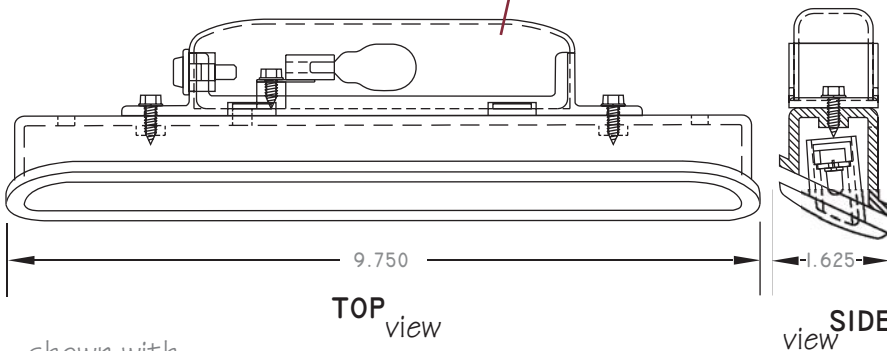
p/n AT-LED-28x30-001



screwless  
**FRONT LENS**  
assembly

recessed 28 L.E.D.  
**CONTOURED CHMSL LAMP**

**OPTIONAL**  
cargo light  
**AVAILABLE**



shown with  
**INTERIOR CARGO LIGHT**  
attached

**W/CARGO LIGHT**  
p/n AT-LED-28x30-003

Take a look at the features of this combination stop lamp and you will see why this product was voted 'BEST NEW PRODUCT' at the TCAA Light Truck Accessory Expo in 1999.

This award winning design includes many unique features such as:

- Screwless front lens assembly-fasteners install through rear cover.
- Injection molded interior cover with flange to conceal rough opening.
- Low profile - less than 1 3/4" high.
- O.E.M. quality, fit and performance - meets applicable S.A.E. requirements.
- (optional) Integrated interior cargo lamp with power on/off switch.

CALL US TODAY WITH YOUR  
APPLICATION!

## SPECIFICATIONS

voltage  
amperage (typical)  
ratings & approvals  
material

13.8V DC NOMINAL (9 - 15V DC)  
.203AMPS @ 13.8V DC  
S.A.E. U 98  
HIGH IMPACT POLYCARBONATE LENS

V-Sales Company  
2016 Borneman Ave.  
Elkhart, Indiana 46517  
Toll-free: 800-528-7953  
www.v-sales.com