

Look at American Technology... See the Difference.

PUSH BUTTON LIGHT DIMMER



ATC's solid-state, push button controlled DIMMER is designed for recreational vehicle and automotive environments. This exceptional unit controls the intensity of 12V DC incandescent lamps.

The electronics are designed to function in extreme temperature variations and are protected against voltage differences and voltage spikes.

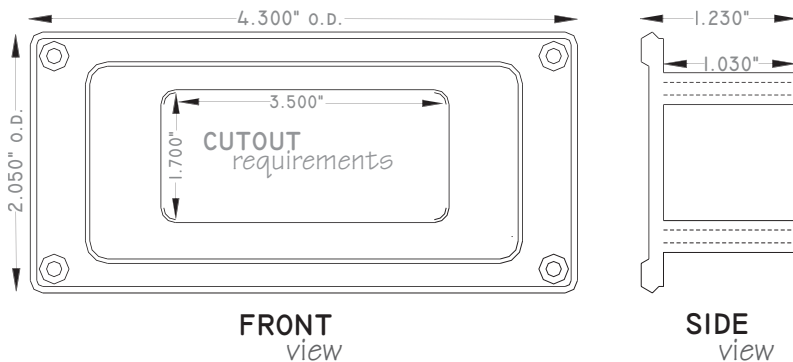
Our PUSH BUTTON LIGHT DIMMER is comprised of three push buttons - 'up' and 'down' for brightness control and the third is ON/OFF. A memory feature resets the lamps to the previous setting when the unit is in the 'on' position.

We offer an optional backlighting feature for each button including the printed lettering.

Options include:

- WHITE OR BLACK PANEL
- TWO BUTTON - WITH NO 'ON/OFF'
- THREE BUTTON - WITH POWER SWITCH (AS SHOWN, UPPER LEFT)

CALL US TODAY WITH YOUR APPLICATION!



SPECIFICATIONS

operating voltage
maximum current drive capability
standby current
operating temperature

+11V DC TO +14V DC
7AMPS DC
2.2MILLIAMPS
-40c TO +85c

V-Sales Company
2016 Borneman Ave.
Elkhart, Indiana 46517
Toll-free: 800-528-7953
www.v-sales.com